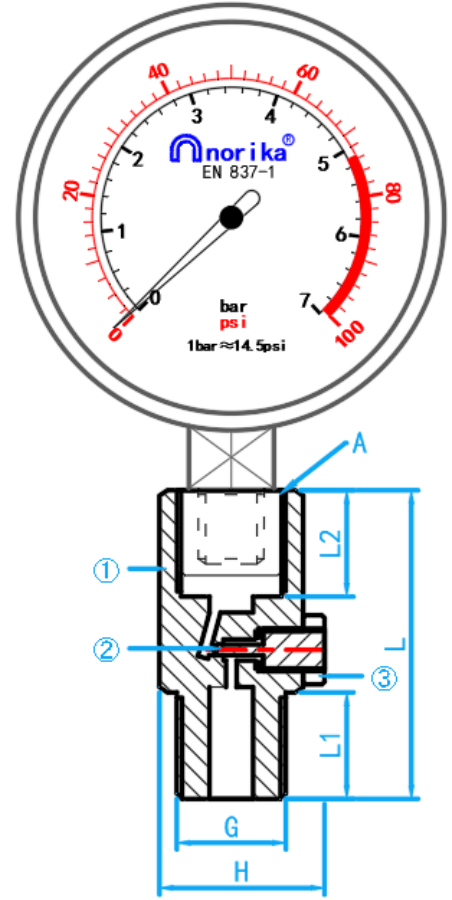
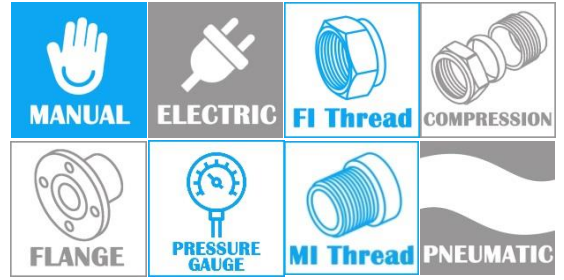


STAINLESS STEEL PRESSURE GAUGE SNUBBER



SIDE VIEW

COMPONENT PARTS

ITEM	PARTS	MATERIAL
1	Body	Stainless Steel 304
2	Adjusting Screw	Stainless Steel 304
3	Nut	Stainless Steel 304

STANDARD SPECIFICATIONS

SKU	L (mm)	L1 (mm)	L2 (mm)	G (inch)	A (inch)	H (mm)	WEIGHT (kg)	PCS/CTN
PGAS006	53	14	14	1/4" BSP	1/4" BSP	31	0.187	-
PGAS015	58	20	20	1/2" BSP	1/2" BSP	31	0.172	-

* Pressure gauge snubbers are used with pressure gauge when there are pressure fluctuations. It helps to suppress the excess pulsations and allow the pressure gauge pointer to be readable. Snubbers increase the life of a pressure gauge. A pressure snubber dampens the effects of pressure spikes and pulses, allowing the pressure gauge to remain readable and extend its service life. It is important to note that it does not alter the process pressure.